

**Article Info**

Received: 10 Feb 2015 | Revised Submission: 15 Feb 2015 | Accepted: 28 Feb 2015 | Available Online: 15 Mar 2015

**Soft Switching of Phase Shifted Full Bridge DC-DC Converter**

*Sasireka.D\* and Esakki Muthu Pandi.A\*\**

**ABSTRACT**

*Phase shifted full bridge dc-dc converter circuit is presented in this paper. The circuit used for soft switching. Auxiliary cell is connected parallel to the full bridge converter part to achieve softness. The auxiliary cell consist of an active switches, a resonant inductor, a resonant capacitors and coupled winding derived from centre tapped transformer. The auxiliary switches are activated in proper interval to ensure the zero voltage switching to the main switches of converter. The auxiliary circuit create zero voltage switching without any change in voltage/current rating of main switches.*

**Keywords:** *Phase Shifted Full Bridge (PSFB); Zero Current Switching (ZCS); Zero Voltage Switching (ZVS).*

**1.0 Introduction**

Modern power supplies utilize Switching at high frequency provides better power densities but overall system efficiency reduces because of increased switching losses. The Boost topology is the most popular topology for power factor correction today but it has some disadvantages like very high Electro Magnetic Interference due to reverse recovery of the boost diode and high switching losses caused by hard switching of the boost switch. Many variations of the original boost topology have been suggested to overcome these problems.

The zero voltage transition boost converter is one such solution. In such a converter an auxiliary circuit is employed which is activated only when the boost switch is turning on or off. This auxiliary circuit allows the boost switch to turn on and off under thus reducing the switching losses. However the auxiliary circuit might be very complex and conduction losses in it might offset the expected rise in efficiency. In this thesis a soft-switching boost power converter is proposed. This converter reduces the Electro Magnetic Interference and increases the efficiency because the auxiliary circuit is itself soft-switching and has low conduction losses due to creative placement of the resonant capacitors.

The phase shifted full bridge converter is used for DC-DC conversion in various applications,

for example in telecom systems to convert a high voltage bus to an intermediate distribution voltage, typically closer to 48V. The phase shifted full bridge converter is used for DC-DC conversion in various applications, for example in telecom systems to convert a high voltage bus to an intermediate distribution voltage.

This topology allows all the switching devices to switch with zero voltage switching resulting in lower switching losses and an efficient converter. In this work, ZVS for switches in the one leg of the full bridge and zero or low voltage or Switching for switches in the other leg is achieved across the complete load range, by changing dead times for primary side switches based on load conditions.

The gating signals are such that the active switches turn ON at zero voltage by introducing a phase shift between the two legs. The output voltage is a function of the phase shift.

**SOFT SWITCHING**

- Switching transitions occur under favourable conditions-device voltage or current in zero.
- Reduced switching losses, switch stress, possibly low electromagnetic interference, easier thermal management.
- Must for high frequency operation (also medium at high power levels).

*\*Corresponding Author: Department of Electrical and Electronics Engineering, Vandayar Engineering College, Thanjavur, Tamil Nadu, India (E-mail:)*

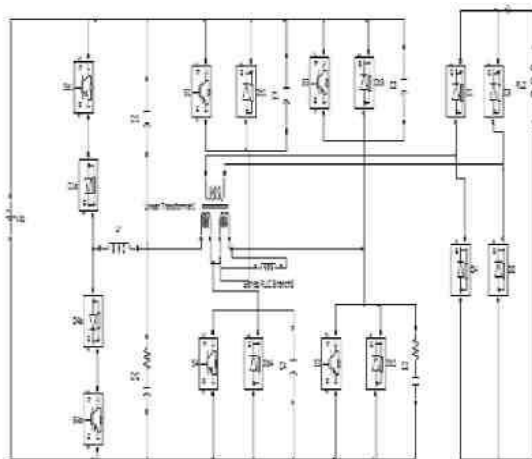
*\*\*Department of Electrical and Electronics Engineering, Vandayar Engineering College, Thanjavur, Tamil Nadu, India*

- Usually involves compromises in conduction losses, switching rating, passive components etc.

**2.0 PSFB Dc-Dc CONVERTER**

The soft switching of PSFB dc-dc converter has an auxiliary cell connected to conventional converter. Auxiliary circuit consists of two active switches  $S_{1a}$  and  $S_{4a}$  two diodes  $D_{1a}$  and  $D_{4a}$ , resonant inductor, resonant capacitors  $C_{r1}$  and  $C_{r4}$  and coupled winding  $LT$  derived from the primary winding of the power transformer.  $S_1$  to  $S_4$  is the main switches.  $DB_1$  to  $DB_4$  and  $C_1$  to  $C_4$  are the body diodes and capacitors across the main switches  $S_1$  to  $S_4$  respectively.  $D_1$  to  $D_4$  are the output rectifier diodes of the converter.

**Fig 1: Circuit Diagram of Proposed PSFB Dc-Dc Converter**



Auxiliary switches  $S_{1a}$  and  $S_{4a}$  are turn ON at zero voltage by introducing a phase shift between the two legs. Gating pulse for the auxiliary switch  $S_{4a}$  is given, when the main switch  $S_1$  is turned OFF and before  $S_4$  is turned ON. Similarly gating to auxiliary switch  $S_{1a}$  is given, when the main switch  $S_4$  is turned OFF and before  $S_1$  is turned ON.

**2.1 Operation of proposed system**

**Interval 0 ( $t < t_0$ ):** Prior to positive power transfer, body diode  $DB_1$  and  $S_2$  are in conduction. Gating  $S_1$  while  $DB_1$  in conduction ensures ZVS during its turn-on.

**Interval 1 ( $t_0 < t < t_1$ ):** This is a positive power transfer interval. Main switches  $S_1$  and  $S_2$ , output rectifier diodes  $D_1$  and  $D_2$  are in conduction carrying full load current. This interval ends when the gating to main switch  $S_2$  is removed.

$$i_m(t - t_0) = i_m(t_0) + \frac{V_{dc}}{L_m}(t - t_0)$$

**Interval 2 ( $t_1 < t < t_2$ ):** Rectifier diodes  $D_1$  and  $D_2$  continue to conduct. Gating  $S_3$  while  $DB_3$  is in conduction ensures ZVS for  $S_3$  during turn-on.  $S_3$  is turned ON at ZVS with a delay.

$$i_p(t - t_0) = i'(t - t_0) + i_m(t - t_0) = nI + i_m(t - t_0).$$

**Interval 3 ( $t_2 < t < t_3$ ):** This is a freewheeling interval. The main switch  $S_1$  and diode  $DB_3$  are in conduction. All the output rectifier diodes are in conduction, sharing full load current equally. Interval 3 ends when gating to  $S_1$  is removed.

$$i_{D1}(t - t_2) = i_{D3}(t - t_2) = \frac{I}{2}$$

**Interval 4 ( $t_3 < t < t_4$ ):** Auxiliary circuit intervals begin when  $S_{4a}$  is gated. At the end of this interval, resonant inductor current reaches load current, output rectifier diodes  $D_3$  and  $D_4$  starts conducting full load current.

$$i_{Lr}(t) = \frac{V_{dc}}{L_r}(t - t_3)$$

**Interval 5 ( $t_4 < t < t_5$ ):** Body diode of main switch  $S_4$  starts conducting. Gating  $S_4$ , while  $DB_4$  is in conduction ensures ZVS turn-on for the main switch  $S_4$ .

$$i_{Lr}(t - t_4) = nI + V_{dc} \sqrt{\frac{C_r}{L_r}} \sin(\omega(t - t_4))$$

**Interval 6 ( $t_5 < t < t_6$ ):** Turning  $S_{4a}$  OFF ensures ZCS during turn-off for the auxiliary switch. The circuit reverts transition back to power transfer intervals with  $S_3$  and  $S_4$  ON.

$$i_p = i_m(t_6) - nI$$

**Interval 7 ( $t_6 < t < t_7$ ):** This is a negative power transfer Interval. Main switches  $S_3$  and  $S_4$  and rectifier diodes

$D_3$  and  $D_4$  are in conduction during this interval.

$$L_m \frac{di_m(t - t_6)}{dt} = v_{ab}(t - t_6) = -V_{dc}$$

**Interval 8 ( $t_7 < t < t_8$ ):** Switch  $S_4$ , diode  $D_3$ ,  $D_4$  is in conduction. Gating  $S_2$  while  $DB_2$  is in conduction ensures ZVS during turn on.

$$i_m(t_2) = i_m^*; i' = nI$$

**Interval 9 ( $t_8 < t < t_9$ ):** This is a freewheeling interval. Output rectifier diodes shares the full load current equally during this interval. This interval ends, when gating to main switch  $S_4$  is removed.

**Interval 10 ( $t_9 < t < t_{10}$ ):** Auxiliary switch  $S_{1a}$  and output rectifier diodes  $D_1$  and  $D_2$  conduct the full load current during this interval.

$$i'(t_1) = nI; i_m(t_1) = i_m^*$$

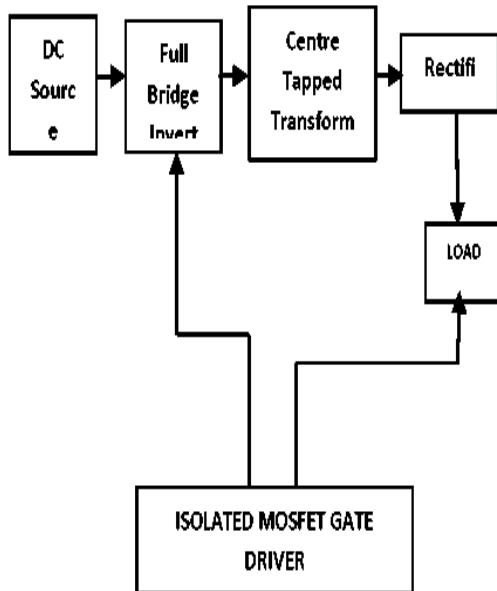
**Interval 11 ( $t_{10} < t < t_{11}$ ):** Resonant elements resonate during this interval. Gating  $S_1$ , when body diode  $DB_1$  is in conduction, ensures ZVS turn-on for the main switch  $S_1$ .

**Interval 12 ( $t_{11} < t < t_{12}$ ):** Turning OFF  $S_{1a}$  becoming zero ensures ZCS during turn-off for the auxiliary switch  $S_{1a}$ . This interval revert back to interval 1, switch  $S_1$  and  $S_2$  are in conduction.

$$V_o = nDV_{dc} - IR_d$$

### 3.0 Block Diagram

**Fig 2: Block Diagram of Proposed System**



The dc source voltage flows to the full bridge inverter.

The full bridge inverter has four numbers of switches. The proposed circuit connected in parallel to the full bridge inverter section to achieve soft switching.

The inverter is connected to the primary winding of centre tapped transformer.

The centre tapped transformer provides separate output voltages of equal magnitude but opposite in polarity to each other.

The gating sequence for the proposed converter is generated using the gating pulses for the four switches in the inverter are phase shifted between the lagging and the leading legs.

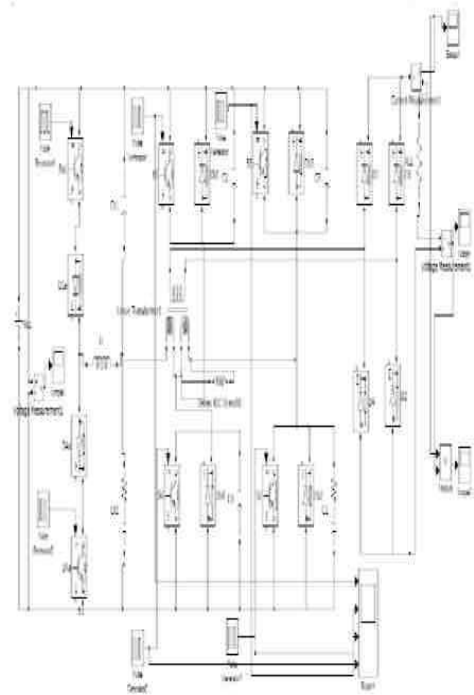
The rectified dc output is derived to the load. A new active soft switching circuit for PSFB is proposed in this paper, which addresses some of the aforementioned problems and maintains the advantage of conventional PWM converters.

The proposed circuit is connected in parallel to the lagging leg as depicted to achieve soft switching.

Novelty in the proposed circuit is the method of generating the voltage required to ensure soft switching for auxiliary switches.

### 4.0 Simulation Result

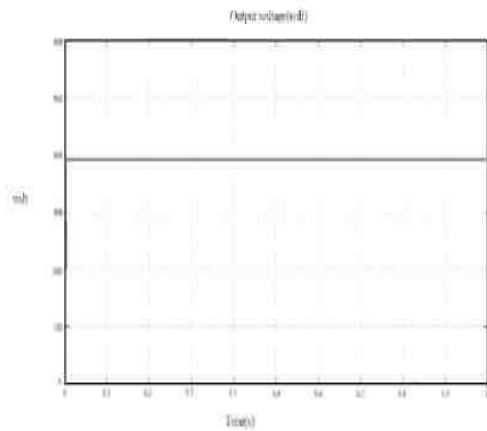
**Fig 3: Simulation Diagram**



Simulation Results: Circuit simulation waveforms of the proposed active soft-switched PSFB dc-dc converter are shown in Fig. 4.2, 4.3.

- 1) Gating signals for lagging leg switches (S1 and S4) and auxiliary switches (S1a and S4a) is observed that the auxiliary switches (S1a and S4a) conducts for 7% to 10% of total switching period of the converter.
- 2) Gating signal for lagging leg switch S4 and its drain-to source voltage for 15%, 50%, and 100% load are respectively. It is observed that the active switch S4 is turned ON at zero voltage, from 20% to 100% load variations. The waveforms for 350-W, 100-kHz proposed active soft-switched PSFB dc- dc converter are shown in Figs. 10 and 11 for 20% to 100% load variations. The following are the inferences from these waveforms:
- 3) Gating signals for lagging leg switches (S1 and S4) and auxiliary switches (S1a and S4a) are observed that the auxiliary switches (S1a and S4a) conduct for shorter durations (10% of turn-on time of converter).

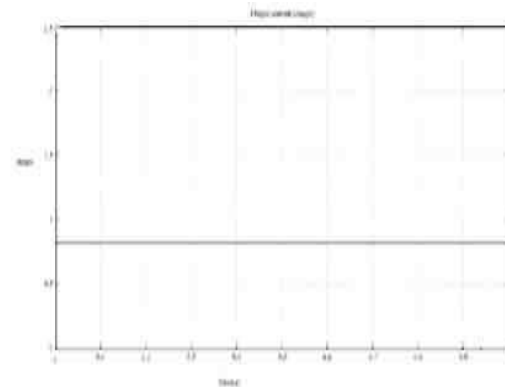
**Fig 4: Output Voltage**



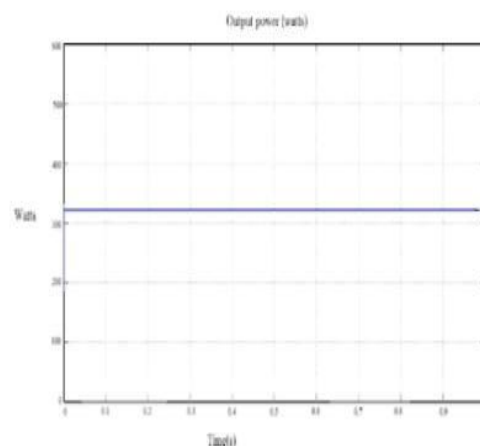
- 4) Gating signal for auxiliary switch S4a, resonant inductor current, gating signal for active switch S4, and its drain-to-source voltage is observed that the resonant inductor current which is same as auxiliary switch current, rises linearly from zero reducing the turn-on losses in the auxiliary switch. Auxiliary switch current is rested before removing its gating signal. This ensures ZCS for auxiliary switch and diode during its turn-off. Drain-to-source voltage of main switch S4 is zero before it is gated. This ensures ZVS during its turn-on.
- 5) Gating signal for auxiliary switch S4a , resonant inductor current, gating signal for main switch S4 , and its drain to- source voltage for 20% load are observed that the main switch S4 is turned ON at zero voltage, auxiliary switch is turned OFF at zero current. This is true for the top switch S1 also.
- 6) Gating signal and drain-to-source voltage waveform of leading leg switch S2 for 20% load is observed that the main switch S2 is turned ON at zero voltage.
- 7) Gating signal for auxiliary switch S4a , resonant inductor current ,gating signal for main switch S4 , and its drain to- source voltage for 50% load are observed that the main switch S4 is turned ON at zero voltage, auxiliary switch is turned OFF at zero current.
- 8) Gating signal and drain-to-source voltage waveform of leading leg switch S2 for 50% load are observed that the main switch S2 is turned ON at zero voltage.

- 9) Gating signal for auxiliary switch S4a , resonant inductor current , gating signal for main switch S4 , and its drain-to-source voltage for 80% load are observed that the main switch S4 is turned ON at zero voltage, auxiliary switch is turned OFF at zero current.
- 10) Gating signal and drain-to-source voltage waveform of leading leg switch S2 for 80% load are observed that the main switch S2 is turned ON at zero voltage. It can be summarized from these inferences that the additional auxiliary circuit provides ZVS during turn-on for lagging leg switches S1 and S4. The turn-on of leading leg switch S2 and S3 is at zero voltage throughout the load variations. Additional auxiliary circuit provides zero voltage during turn-on for lagging leg switches without disturbing ZVS mechanism for leading leg switches during turn-on.

**Fig 5: Output Current**



**Fig 6: Output Power**



## 5.0 Conclusion

The soft switching of PSFB dc-dc converter is investigated. From the simulation result, it is clear that proposed converter minimize the losses using auxiliary switches. The auxiliary circuit achieves zero voltage during turn-on for main switches without disturbing the zero voltage turn-on conditions for other switches. Thus improvement in the overall efficiency than the conventional converter is presented.

## References

- [1] M. Ordonez, J. E. Quicoe, Soft-switching techniques for efficiency gains in full-bridge fuel cell power conversion, *IEEE Trans. Power Electron.*, 26(2), 2011, 482-492
- [2] A. J. Mason, D. J. Tschirhart, P. Jain, New ZVS phase shift modulated full-bridge converter topologies with adaptive energy storage for SOFC application, *IEEE Trans. Power Electron.*, 23(1), 2008, 332-342
- [3] V. Vlatkovic, J. A. Sabate, R. B. Ridley, F. C. Lee, B. H. Cho, Smallsignal analysis of the phase-shifted PWM converter, *IEEE Trans. Power Electron.*, 7(1), 1992, 128-135
- [4] M. J. Schutten, D. A. Torrey, Improved small-signal analysis for the phase-shifted PWM power converter, *IEEE Trans. Power Electron.*, 18(2), 2003, 659-669
- [5] X. Zhang, X. Ruan, W. Chen, Small signal model for Boost Phaseshifted Full Bridge converter in high voltage application, in *Proc. IEEE Energy Con vers. Congr. Expo.*, 2009, 2980-2984
- [6] N. Lakshminarasamma, V. Ramanarayanan, A family of auxiliary switch ZVS-PWM DCDC converters with coupled inductor, *IEEE Trans. Power Electron.*, 22(5), 2007,2008-2017
- [7] N. Lakshminarasamma, V. Ramanarayanan, A family of auxiliary switch ZVS-PWM DC-DC converters with coupled inductor, in *Proc. 32<sup>nd</sup> IEEE Annu. Conf. hid. Electron.*, 2006, 2660-2665
- [8] N. Lakshminarasamma, V. Ramanarayanan, A new family of soft transition converters: Design example and dynamic model, in *Proc. Nat. Power Electron. Conf, Sadhana*, 2008, 33(5), 459-479
- [9] G. N. B. Yadav, N. Lakshminarasamma, A new active soft switching circuit for full bridge converters, in *Proc. IEEE Int. Conf. Power Electron., Drives Energy Syst*, 16-19,2012, 1-6
- [10] G. N. B. Yadav, N. Lakshminarasamma, Analysis and design of a novel active soft switched phase-shifted full bridge converter, *World Acad. Sci., Eng. Technol.*, 73,2013